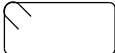


1. NUMBER OF CONDUITS AS REQUIRED.
2. 2#5 HOOPS 2" CLEAR. 
3. EXTEND PVC-COATED RGS THROUGH STRUCTURE.
4. CONCRETE STRUCTURE, WET WELL OR VALVE VAULT.
5. #6 ADHESIVE DOWELS AT 1'-6" OC, 4 MIN REQUIRED. 6" MIN DEPTH INTO WALL.
6. 3/4" x 5" x FULL WIDTH OF ENCASEMENT NEOPRENE BEARING PAD.
7. PVC COATED RIGID GALVANIZED STEEL CONDUIT.
8. DUCT BANK LONGITUDINAL BARS.

NOTES:

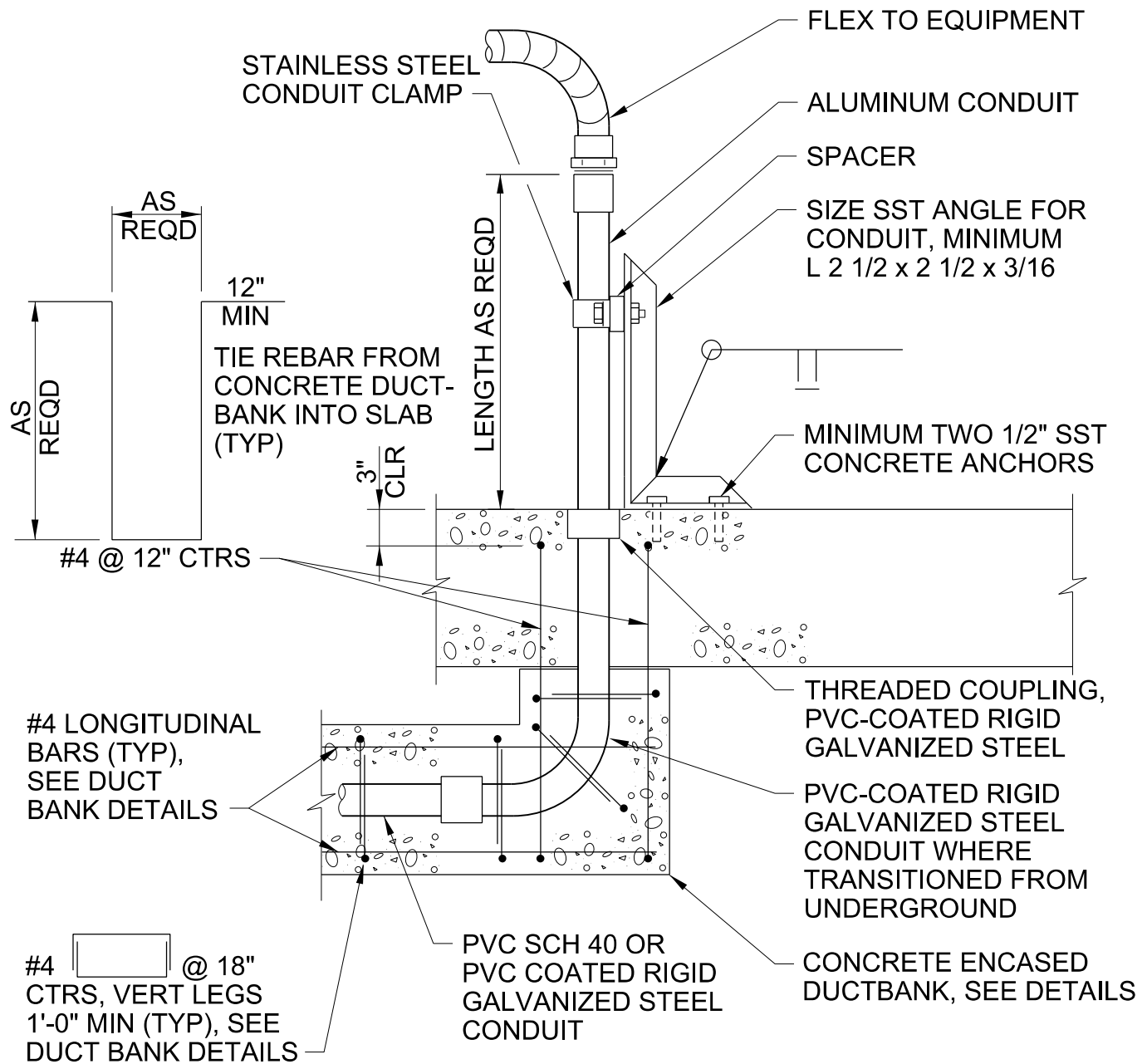
A. DETAIL APPLIES TO CONDUIT EMBEDDED IN STRUCTURAL CONCRETE AT BUILDING INTERFACES AND VERTICAL STRUCTURES.

B. DETAIL SHOWN IS ELEVATION SECTION.

NOTE TO DESIGNER:
CONFIRM CORBEL DESIGN WITH STRUCTURAL.

**CONCRETE ENCASED DUCT
TERMINATION WITH STRUCTURAL CONCRETE**

NTS

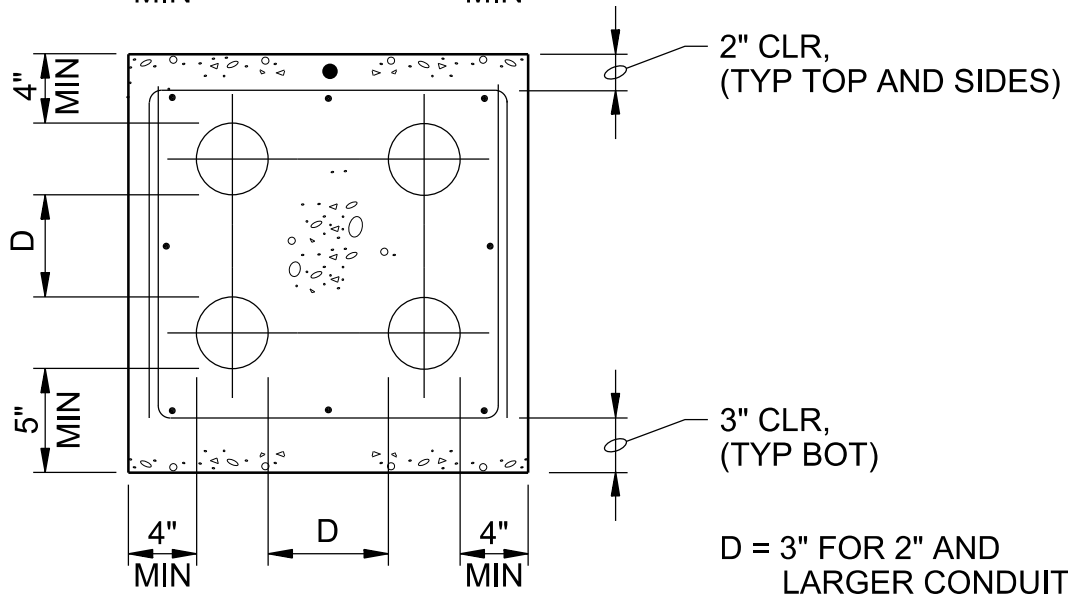
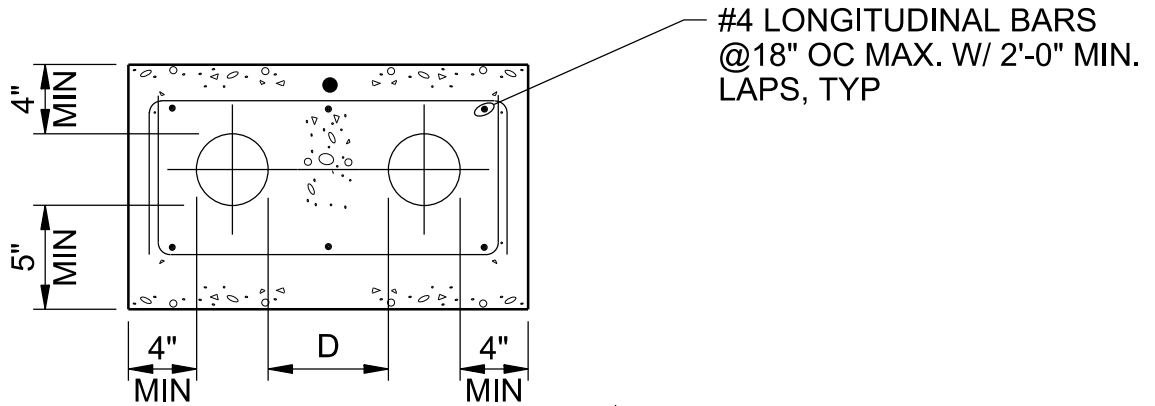
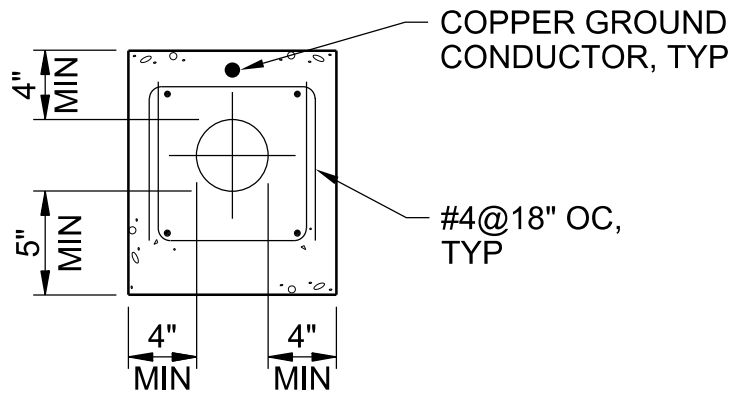


NOTES:

1. PROVIDE SUPPORT FOR ALL METAL CONDUITS WHICH EXTEND MORE THAN 18 INCHES OUT OF THE SLAB WITHIN 3 INCHES OF THE END OF THE CONDUIT.
2. PROVIDE SUPPORT FOR ALL PVC CONDUIT WITHIN 3 INCHES OF THE END OF THE CONDUIT.
3. THIS DETAIL SHALL BE USED FOR SUPPORT OF ALL CONDUITS WHICH ARE NOT OTHERWISE SUPPORTED IN A RIGID MANNER SUCH AS AGAINST AN EQUIPMENT BASE, WALL, COLUMN, ETC, AS REQUIRED ABOVE.

DUCT BANK / CONDUIT TRANSITION AND SUPPORT

NTS



D = 3" FOR 2" AND LARGER CONDUITS

D = 2" FOR 1 1/2" AND SMALLER CONDUITS

NOTES:

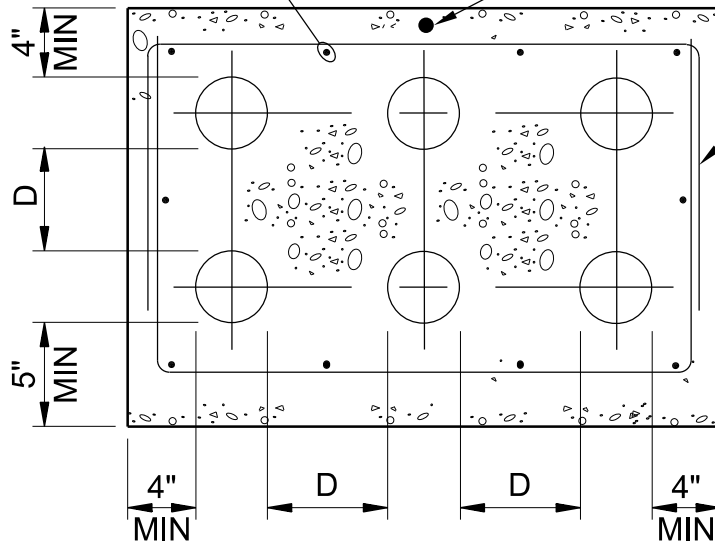
1. PROVIDE 6" MINIMUM COMPACTED GRAVEL, 3/4" MINUS, UNDER ALL CONCRETE ENCASED DUCT RUNS.

DUCT BANK

NTS

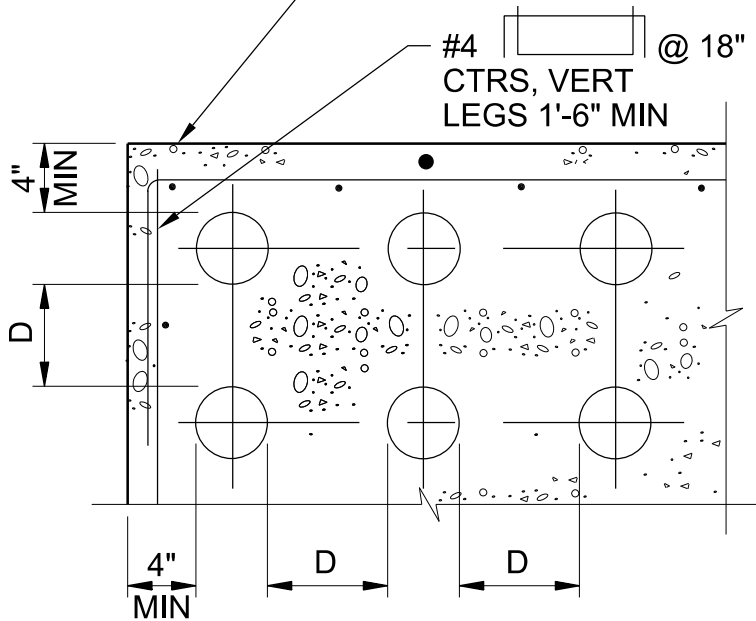
#4 LONGITUDINAL
BARS @ 18" OC MAX.
W/ 2'-0" MIN LAPS, TYP

COPPER GROUND
CONDUCTOR, TYP



#4  @ 18"
CENTERS, VERT LEGS 1'-0"
MIN OR 2'-0" LAP WHERE
DUCT BANK HEIGHT
PERMITS

FOR LARGER DUCT BANKS,
CONTINUE PATTERN OF REBAR,
CONDUIT SEPARATION AND
CONCRETE COVER.



#4  @ 18"
CENTERS, VERT
LEGS 1'-6" MIN

DUCT BANK
NTS